

PRODUCT RELEASE

Date:

November 2018

Description:

ARB Quick Release Awning Bracket

Application:

All ARB Awnings

Part No. & Barcode:

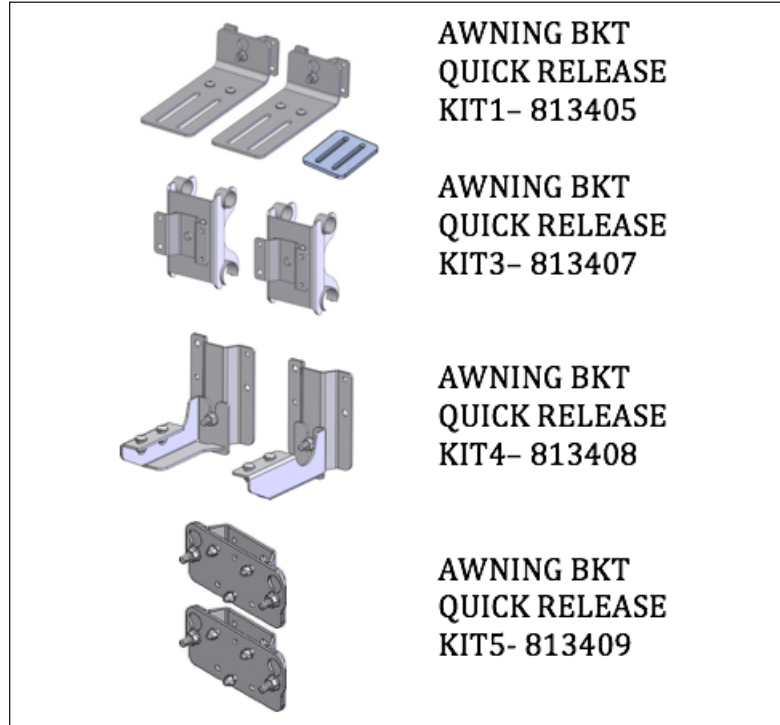
Refer to Table

Price:

Refer to Table

Availability Date:

Now



Product Specification

Quickly unbolt your awning for storage or move it to a different mounting place more easily with the new ARB Quick Release Awning Brackets.

The ARB Quick Release Awning Brackets provide excellent mounting options for all ARB Awnings to ARB roof racks. They provide the correct mounting with no drilling or modifications required in most cases. These Australian-made brackets are built from quality 3mm powder-coated steel, which are zinc-plated to resist corrosion and rubbing.

With a simple one-bolt configuration you are able to easily remove the brackets which allows for storage of the awning when it is not required on the vehicle. This also expands the versatility of the ARB Awning by enabling you to move the awning to either side of the vehicle and even between vehicles.

Traveling with a 2000 or 2500 awning on the back of your SUV isn't possible* but many people want more coverage in the back. By simply using 2 sets of brackets you can move the wide awning from the side of your SUV to the back in minutes.

As you'll see down below in the application chart, we offer Awning Quick Release Brackets for various types of ARB Roof Racks. Kit 1 is designed for side awning mounting on ARB Touring and Flat Racks. Kit 3 is designed for side and rear awning mounting on cage style ARB racks. Kit 4 is designed rear awning mounting on ARB Touring and Flat Racks. Kit 5 can be used for ARB Cage Racks that have already been drilled for an awning or on competitor's racks.

Removing the awning when not needed allows for reduced weight on the vehicle and additional security.

* While in transit, you'll need to move the awning back to the side of the vehicle.

Features & Benefits:

- Made from 3mm Australian steel
- Quality hardware used
- Easy setup and removal
- Styling to match ARB Roof Racks
- No drilling required
- Allows 2.5m awnings attachment for dual cabs
- Suitable for all ARB Awnings

Technical Specifications:

- Powder coated steel
- Zinc plating to reduce abrasion.
- Application chart for easy identification on sell ARB

Pricing & Barcode:

| PART NO. | DESCRIPTION | BARCODE | MSRP |
|----------|-------------------------------|---------------|---------|
| 813405 | AWNING BKT QUICK RELEASE KIT1 | 9332018052216 | \$69.00 |
| 813407 | AWNING BKT QUICK RELEASE KIT3 | 9332018052230 | \$79.00 |
| 813408 | AWNING BKT QUICK RELEASE KIT4 | 9332018052247 | \$62.00 |
| 813409 | AWNING BKT QUICK RELEASE KIT5 | 9332018052254 | \$59.00 |

Shipping Weight & Dims:

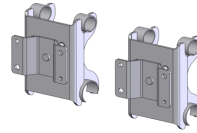
| PART NO. | DESCRIPTION | HEIGHT | WIDTH | LENGTH | WEIGHT |
|----------|-------------------------------|--------|-------|--------|--------|
| 813405 | AWNING BKT QUICK RELEASE KIT1 | 12in | 7in | 7in | 6lbs |
| 813407 | AWNING BKT QUICK RELEASE KIT3 | 12in | 7in | 7in | 6lbs |
| 813408 | AWNING BKT QUICK RELEASE KIT4 | 12in | 7in | 7in | 3.5lbs |
| 813409 | AWNING BKT QUICK RELEASE KIT5 | 12in | 8in | 5in | 2.5lbs |

*813409 is shipped in a plastic bag

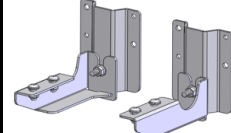
AWNING QUICK RELEASE APPLICATION CHART



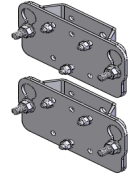
KIT 1 - 813405









KIT 3 - 813407

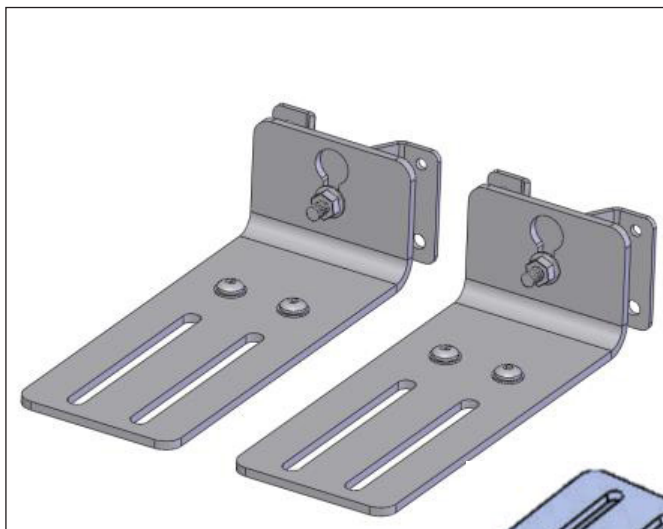


KIT 4 - 813408

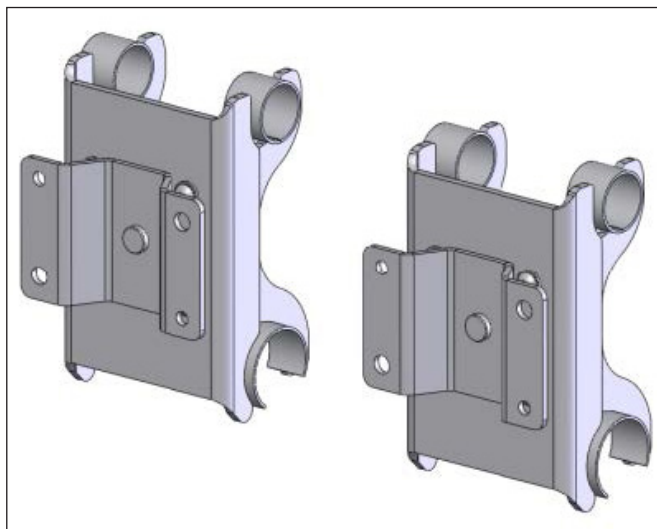


KIT 5 - 813409

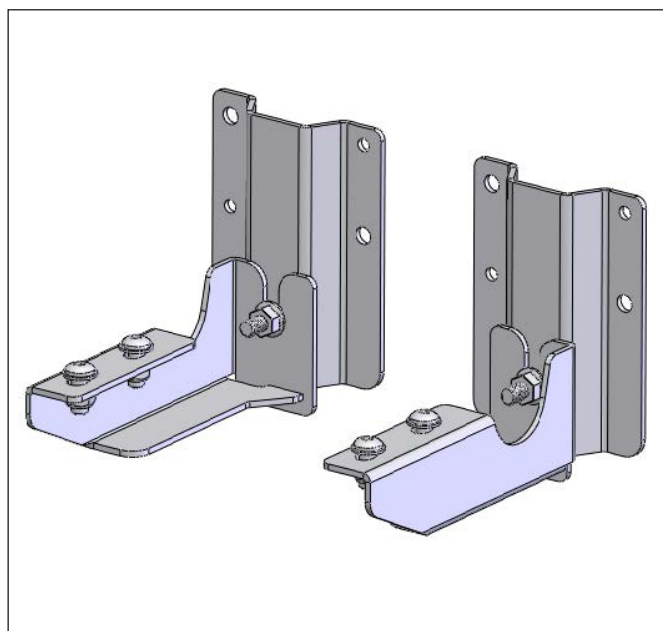
| | | KIT 1 - 813405 | KIT 3 - 813407 | KIT 4 - 813408 | KIT 5 - 813409 |
|---|------|----------------|----------------|----------------|----------------|
|  SMALL CAGE- 2 MOUNT POINTS | SIDE | | X | | X |
| | REAR | | X | | |
|  MEDIUM CAGE- 3 MOUNT POINTS | SIDE | | X | | X |
| | REAR | | X | | |
|  LARGE CAGE- 4 MOUNT POINTS | SIDE | | X | | X |
| | REAR | | X | | |
|  TOURING RACK- 3 MOUNT POINTS | SIDE | X | | | |
| | REAR | | | | |
|  FLAT RACK- 2 MOUNT POINTS | SIDE | | | | |
| | REAR | | | X | |
|  FLAT RACK- 3 MOUNT POINTS | SIDE | X | | | |
| | REAR | | | X | |
| COMPETITOR RACK / BRACKET FIT | SIDE | | | | X |
| | REAR | | | | |



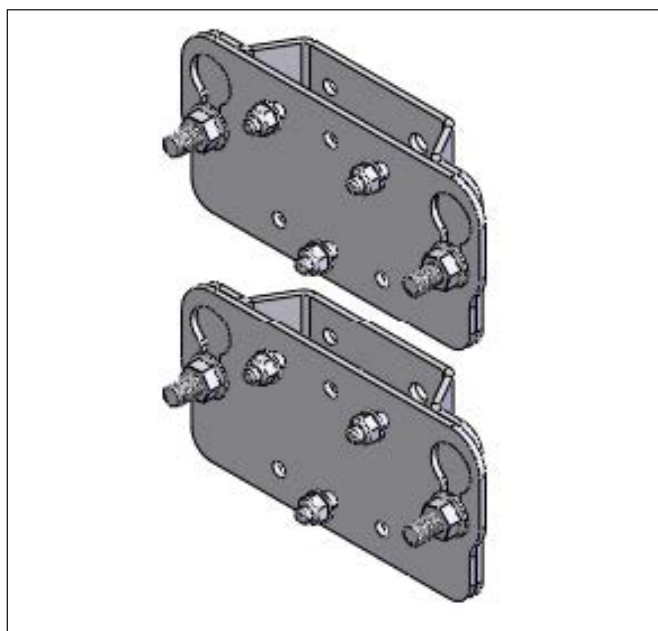
Kit 1
Part Number: 813405
*Includes levelling plate



Kit 3
Part Number: 813407



Kit 4
Part Number: 813408



Kit 5
Part Number: 813409

USA OFFICE

ARB USA- Air Locker Inc.

STREET ADDRESS

4810 D ST. NW #103
Auburn, WA 98001

CONTACT DETAILS

T 425-264-1391
W arbusa.com