

**Date:**

December 2015

**Description:**

ARB Dual Battery Tray

**Application:**

Toyota Prado 2015 on 2.8L

**Part No. & Barcode :**

4221040 - 9332018041807

**Product Group:**

384 ARB Aux Battery Trays

**Fitting:**

1 Hour (plus wiring)

**Availability Date:**

Now



## Product Specification

**Toyota's recent change to the 2.8L turbo diesel engine has required a new ARB Dual battery tray to be developed to suit. The tray has been designed around fitment of Redarc's BCDC & LFP range of chargers in conjunction with the ARB Dual Battery Wiring Kit part number 4300010.**

With the extensive range of Redarc BCDC & LFP chargers allowing an ARB dual battery system to be specified to your customers' requirements a separate ARB Dual Battery Kit is not being developed.

The tray mounts in the driver's side front corner of the engine bay behind the head light (Right hand drive vehicles). The BCDC or LFP is mounted on the outboard side between the tray and the inner guard of the vehicle.

## Features:

- Vehicle specific design for the 2016 Toyota Prado with the 2.8L Turbo Diesel engine.
- Durable steel construction for maximum strength.
- Designed for fitment of the Redarc's range of BCDC & LFP chargers.
- Designed for fitment with ARB Dual Battery Wiring Kit part # 4300010.
- Designed to accept an Optima D34 Century Battery or NS70 (or equivalent). Battery weight not to exceed 21kg.
- Tray is coated with a zinc rich primer and finished in satin black powder coat.
- Provision on tray for fitment of MIDI fuse or 4,6 or 8 block fuse block.

## Dual Battery Wiring Kit & BCDC Selection:

ARB's dual battery tray for the 2.8L Prado 150 has been developed for use with ARB Dual Battery Wiring Kit part number 4300010. The wiring kit includes cables with terminated ring ends for fitment to battery terminals and earth points. It is recommended to use the included soldered butt splice crimp connection with heat shrink when connecting the Redarc BCDC or LFP.

ARB's testing of the 4300010 kit included exposure to 80 degrees ambient temperature while running a high current load through the fuse and holder for a continuous duration of 8 hours. ARB's dual battery wiring kit has been designed for those customers using a BCDC or LFP with a rated output up to 25 amps at 12 volts.

For vehicles using Redarc's range of 40 amp BCDC or LFP chargers or where the vehicle will experience high extremes of temperature or charge duration, Redarc 40 or 60 amp MIDI fuse kits are recommended. These kits use a MIDI fuse in place of the blade fuse included in the 4300010 kit. MIDI fuses overcome the potential for contact resistance through the use of bolts to retain the fuse to the cable.

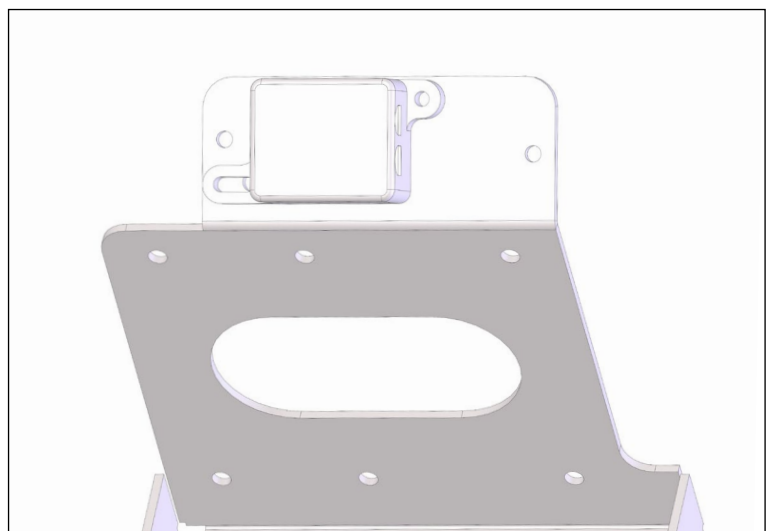
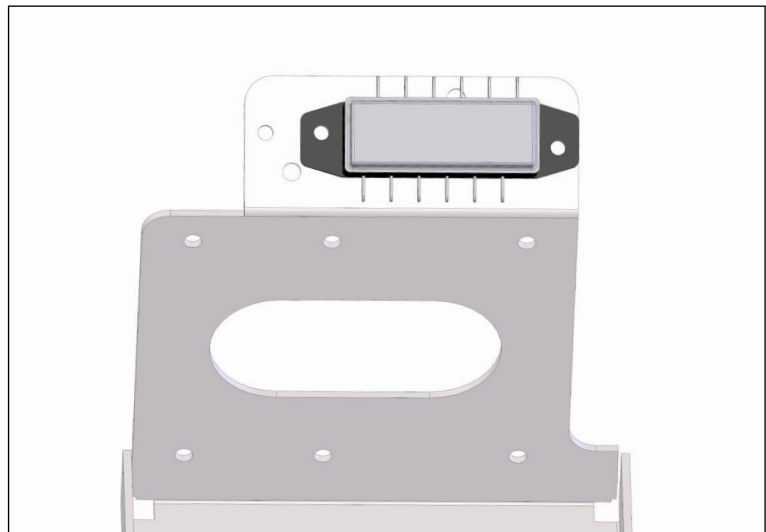
The table below shows the most appropriate fusing option in conjunction with the 4300010 kit.

BCDC Charger	Description	Economical Option (Normal Use)	Premium Option (Heavy Use)
BCDC1220	S/START DC/DC B/CHGR 12V 20A	4300010	4300010 & REDFK40
BCDC1220-IGN	S/START DC/DC B/CHGR 12V 20A	4300010	4300010 & REDFK40
BCDC1225	S/START DC/DC B/CHGR 12V 25A	4300010	4300010 & REDFK40
BCDC1225-LV	S/START L/VOLTAGE 12V 25A	4300010	4300010 & REDFK40
LFP1225	DC-DC 25A LiFePO4/MPPT REG	4300010	4300010 & REDFK40
LFP1225-LV	DC-DC 25A LiFePO4 IGN/MPPT REG	4300010	4300010 & REDFK40
BCDC1240	S/START 40AMP 12V DC-DC CHGR	4300010 & REDFK60	4300010 & REDFK60

BCDC Charger	Description	Economical Option (Normal Use)	Premium Option (Heavy Use)
BCDC1240-LV	S/START L/VOLTAGE 12V 40A	4300010 & REDFK60	4300010 & REDFK60
LFP1240	DC-DC 40A LiFePO4/MPPT REGIFOR BATT 60AH & ABOVE	4300010 & REDFK60	4300010 & REDFK60
LFP1240-LV	DC-DC 40A LiFePO4 IGN/MPPT REGIFOR BATT 60 AH & ABOVE	4300010 & REDFK60	4300010 & REDFK60

## Blade & MIDI Fuse Holder:

The battery tray has provision for a 4, 6 or 8 blade fuse holder or the Redarc MIDI fuse holder above the BCDC mounting position.



### HEAD OFFICE

ARB Corporation Ltd

### POSTAL ADDRESS

PO Box 105, Kilsyth  
3137 Australia

### STREET ADDRESS

42-44 Garden Street,  
Kilsyth, Victoria  
3136 Australia

### CONTACT DETAILS

**T** +61 3 9761 6622  
**F** +61 3 9761 6807  
**W** [arb.com.au](http://arb.com.au)