



4X4 ACCESSORIES



DATE:

March 2015

DESCRIPTION:

ARB Summit Bar

APPLICATION:

Ford Ranger T6 PX 2011 on

PART NO. / BARCODE:

3440500 - 9332018037183

PRODUCT GROUP:

010 - Bull Bars

FITTING:

4 Hours

AVAILABILITY DATE:

March 2015



PRODUCT SPECIFICATION

DESIGN & DEVELOPMENT:

Whilst imitation is the sincerest form of flattery, ARB's engineers were given the task of designing a modern interpretation of ARB's often copied Deluxe Combination bar. To achieve this, a number of key registered design and style elements have been included in the ARB Summit Bar.

To complement the extensive development work and knowledge in bar mounts within ARB, the engineers have developed a fresh, modern approach to the traditional combination bar.

Key design features include the 30mm radius on the wings and centre section, 60.3mm tube, formed upright with pressed cover strap, pressed top pan with pressed winch cover. Buffers and a centre grill have been developed to give the bar a crisp, factory appearance.

PROTECTION & STYLING CHARACTERISTICS:

- Vehicle specific design for the PX T6 Ford Ranger.
- Registered design of styling and design components.
- Durable steel construction for maximum protection.
- Incorporates ARB's renowned multi fold upswept and tapered wing design for optimum strength and approach angle.
- 30mm radius on wings and centre section.
- Superbly engineered, air bag compatible mounting system secures to chassis via high tensile bolts and hardware.

PROTECTION & STYLING CHARACTERISTICS CONT.:

- Split pan design for maximum strength and airflow
- 2 piece grill design for split pan.
- Extensive under protection panels on centre and either side.
- 60.3mm outer frames and centre cross bar.
- Formed cover strap.
- Pressed top pan and winch cover panel.
- Combination style bar to suit both winch and non winch applications. The bar includes a pressed aluminium winch cover panel.
- Twin Hi-Lift jack points located below each buffer for optimum strength.
- Durable two piece buffers including cover strap intersection caps.
- Will accommodate Warn, Magnum, Bushranger and Smittybilt low mount model electric winches up to 10,000lb.
- Provision to accommodate ARB Intensity LED's and a range of IPF lights.
- Provision for optional ARB Fog Light kit part no 3500590.
- Includes ARB LED Indicator & Clearance light.
- Two aerial brackets located on the top of the centre frame.
- Bar adds approximately 140mm to the overall length of the Ranger.
- Zinc rich primer for additional rust resistance
- Finished in a hard wearing stain black powder coat with the added option of colour coding to individual vehicles.

CHASSIS MOUNTS:

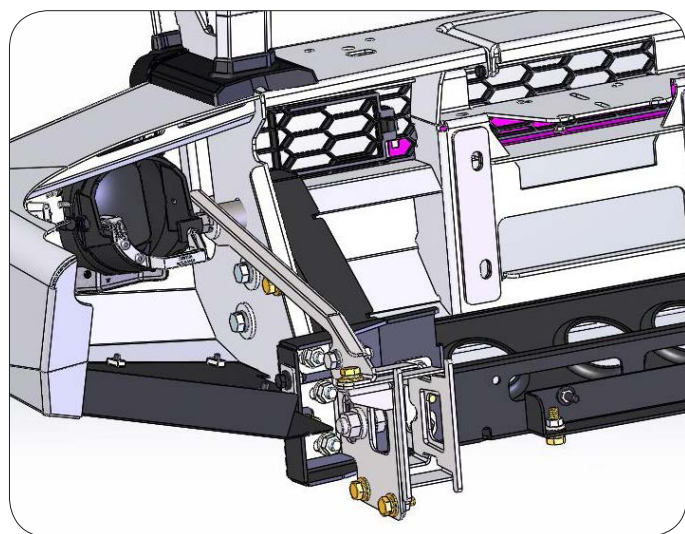
As part of ARB's continual focus on product improvements, a number of changes have been made to the chassis mounts for the Ford Ranger over previous generation Deluxe Combination Bar mounts.

Revisions have been made to the mount cross member to allow fitment of Warns range of ZEON and ZEON Platinum winches. Previously the physical dimensions of the ZEON fouled on the cross member.

Based on market feedback regarding vehicles used in extreme conditions, additional bracing from bar back to and around the chassis have been incorporated into the mount design. Airbag activation and compatibility haven't been compromised with these changes whilst providing valuable support around the consistency of an OE chassis weld.

The brace ties the bar into a cradle around the chassis rather than just mounted on the face of the chassis flange.

Retro-fit kit will be available for existing Ranger and BT50 bars for vehicles used in extreme conditions.



SYNCHRO PULSE CONTROLLED WELDING:

Synchro pulse controlled welding is used on all visible welds on the Ranger ARB Summit Bar. Synchro pulse controlled welding controls the molten drop transfer as current, frequency and duration of the welding arc is controlled resulting in a visually appealing weld with seam quality that is comparable with that of a TIG weld.

Each current pulse is controlled so that a single droplet of filler metal is detached each time and welding is able to be done with a constant arc length resulting in the virtually spatter free weld.



COVER STRAP:

ARB's engineers have developed a 62.6mm formed cover strap to suit the Summit Bar. The design of the new cover strap controls the 30mm radius, the location of the welds and the intersection of the cover strap with the cover strap intersection mouldings.



OUTER FRAME:

One area of focus for ARB's engineers, was the intersection of the 60.3mm outer frame and the 30mm radius of the wings. The outer frame passes through the wing radius, rather than through the wing top.

Pulse welding is used on this intersection to achieve a visually appealing weld.



PRESSED FORM TOP PAN:

The Summit Bar features a pressed form top pan. The press form adds strength to the pan whilst allowing for the winch cover panel to be recessed.

BUFFERS, CENTRE PAN GRILL AND FOG LIGHT SURROUND:

The Summit Bar features newly designed two piece buffers, centre pan grill and the recently released fog light surround and fog light (optional part number 3500590 – refer following fog light section). All three components have been designed to integrate with each other and the bar design.

The upright section of the buffer has a style line to complement the fog light surround. The top section of the two piece buffer include a cover strap intersection cap to finish the pressed form cover strap.

To provide access to winch clutch handles and to assist with valuable airflow to the radiator the split pan design has been widened and includes a two piece grill for an integrated, OE style appearance.

The two piece grill has an opening on the left side to allow access to winch clutch handles. The access door is easily opened and closed and overcomes clutch lever access when larger lights are fitted.



FOG LIGHTS:

The Ranger ARB Summit Bar features ARB's new fog light surround that accepts ARB's 51W Fog Light, part number 3500590. The surround is supplied standard with a screw in cover if no fog light is to be fitted.

The fog light surround will be supplied in the natural black finish to complement the buffer design.

ARB Auxiliary Fog Light Loom Part No 3500530 is required if fitting the ARB Fog Light option.

A clear fog light cover has been developed separately under part no 3500680.



LED CLEARANCE LIGHT / TURN SIGNALS:

The Ranger Summit Bar feature ARB's LED clearance light/turn signal in a press form aperture in each wing.



WINCH MODEL FITMENT:

The ARB Summit Bar for the Ranger fits the following winches:

- Warn M8000, XD9000, XP9.5 and XDC 9.5
- Warn Zeon 8, 8-S, 10 and 10-S
- Warn ZEON Platinum 10, 10-S
- Warn Magnum 8K, Magnum 10K
- Smittybilt Gen 2 X10K
- Bushranger DV-9TH, DS-9TH and Seal 9.5TH

Unlike traditional ARB bars where the winch control box is fitted on top of the centre pan, the Summit Bar has an integrated control box mount to recess the control box lower in the pan. The control box mount has different mount holes to suit different winches. Please note that not all winches on the market will have mount holes pre-drilled.

Having the control box recessed within the bar assists with the airflow requirements of the Ranger and exceeds factory airflow. The wider split pan, which accommodates the two piece grill, also contributes to the increased airflow.

Additional fit kits are required depending on the winch fitted:

- 3500720 WINCH INSTALL KIT SUMMIT BAR|. This kit includes a newly designed flip up number plate bracket.
- Warn ZEON and ZEON Platinum fitment requires P/No W89965 Short Wiring Kit.
- Warn ZEON Platinum fitment may require part No W94288 Enhanced Signal Kit.
- Winches fitted with a hawse fairlead will require



ANTENNA MOUNTS:

Two aerial mounts are welded to the centre cross tube to allow fitment of UHF/AM radio and mobile phone aerials/antennas.



HI-LIFT JACK POINTS:

Hi-Lift jack points are located below the buffers. The Hi-Lift jack point is welded directly to the upright on either side and is designed to prevent the Hi-Lift jack from interfering with the buffer.



PRESSED WINCH COVER:

For vehicles not being fitted with a winch the ARB Summit Bar is supplied with a 4mm aluminium press formed winch cover panel. The winch cover panel is recessed in the press form top pan to give a level and integrated appearance.

Supplied in a satin black powder coat finish.

